

Item N	Type	Sub	Part No	Description	Qty	Unit
001			810R17-1	MODEL NO. LABEL F/DUC353	1	PC.
002			183F24-8	HOUSING SET	1	SET
		INC.	810R30-9	CAUTION LABEL	1	PC.
003			266326-2	TAPPING SCREW M4X18	2	PC.
004			457007-1	FRONT HANDLE	1	PC.
005			266326-2	TAPPING SCREW M4X18	2	PC.
006			457013-6	CATCH LEVER	1	PC.
007			457006-3	SWITCH LEVER	1	PC.
008			232318-3	TORSION SPRING 10	1	PC.
009			650781-2	SWITCH C3JW-6B-P	1	PC.
010			457010-2	HOUSING L COVER	1	PC.
011			266326-2	TAPPING SCREW M4X18	1	PC.
012			183F15-9	TERMINAL BOX SET	1	SET
		INC.	263005-3	RUBBER PIN 6	4	PC.
013			266326-2	TAPPING SCREW M4X18	4	PC.
015			266326-2	TAPPING SCREW M4X18	2	PC.
016			643874-2	TERMINAL	2	PC.
017			519411-3	ROTOR ASS'Y	1	PC.
		INC.		Item No. 18		
018			210028-2	BALL BEARING 606ZZ	1	PC.
019			592H45-5	STATOR ASS'Y	1	PC.
		INC.		Item No. 20,21		
020			210059-1	BALL BEARING 6000DDW	1	PC.
021			962105-3	RETAINING RING R-26	1	PC.
022			266326-2	TAPPING SCREW M4X18	3	PC.
023			257402-3	SLEEVE 10	1	PC.
024	1		144483-5	CONTROLLER COMPLETE	1	PC.
	2		140G35-2	CONTROLLER COMPLETE	1	PC.
025	2		168508-1	* TANKCAP COMPLETE	1	PC.
		INC.	213355-6	* O RING 25	1	PC.
026	2		140A11-0	FRONT HAND GUARD COMPLETE	1	PC.
		INC.	810R20-2	CAUTION LABEL	1	PC.
027			852V64-0	NAME PLATE F/DUC353	1	PC.
029			266326-2	TAPPING SCREW M4X18	8	PC.
030			911233-1	PAN HEAD SCREW M5X20	3	PC.
031			142156-4	OIL PUMP COMPLETE	1	PC.
032			424904-6	CONNECTOR B	1	PC.
033			452666-6	NIPPLE	1	PC.
034			234207-8	COMPRESSION SPRING 6	1	PC.
035			266326-2	TAPPING SCREW M4X18	1	PC.
036			424903-8	CONNECTOR A	1	PC.
037			632H47-0	SWITCH UNIT	1	PC.
038			231298-0	COMPRESSION SPRING 6	1	PC.
039			163448-8	LINKPLATE COMPLETE	1	PC.
040			232319-1	COMPRESSION SPRING 9	1	PC.
041			345454-7	BRAKE BAND	1	PC.
043	2		265620-9	TAPPING SCREW FLANGE M4X18	1	PC.
044			221427-3	WORM GEAR	1	PC.
045	1		161526-8	BRAKE DRUM COMPLETE	1	PC.
	2		161891-5	BRAKE DRUM COMPLETE	1	PC.
046			221464-7	SPROCKET 6	1	PC.
047			961013-5	STOP RING E-7	1	PC.
048			457004-7	HOUSING R COVER	1	PC.
049			266326-2	TAPPING SCREW M4X18	4	PC.
051			266326-2	TAPPING SCREW M4X18	2	PC.
052			347079-3	CHAIN CATCHER	1	PC.
053			266326-2	TAPPING SCREW M4X18	1	PC.

Item N	Type	Sub	Part No	Description	Qty	Unit
054			346694-0	GUIDE PLATE ES	1	PC.
055			266166-8	TAPPING SCREW CT M3X8	1	PC.
056			346699-0	GUIDE PLATE CS	1	PC.
057			227496-2	STRAIGHT BEVEL GEAR 14	1	PC.
058			326310-0	ADJUST PIN	1	PC.
059			326312-6	ADJUST SCREW	1	PC.
060			266427-6	TAPPING SCREW M4X12	3	PC.
061			142235-8	NUT COMPLETE	1	PC.
062			454519-5	NUT COVER	1	PC.
063			457000-5	SPROCKET COVER	1	PC.
064			142288-7	WHEEL COMPLETE	1	PC.
		INC.	213011-8	O RING 7	1	PC.
065			213060-5	O RING 10	1	PC.

ACCESSORIES

- See Catalogue or visit www.makita.ca for more accessories -

A01			182229-1	OIL SUPPLY 100CC	1	PC.
A02			165246-6	14" SPROCKET GUIDE BAR 3/8" 43G	1	PC.
A03			419288-5	CHAIN COVER FOR 12-14"	1	PC.
A04			196741-5	3/8" CHAIN 43G 14"	1	PC.
A05			347078-5	SPIKE BUMPER	1	PC.
A06			-----	BATTERY CHARGER		
A07			-----	18V LI-ION BATTERY		
A08			-----	LI-ION BATTERY ACCESSORIES		
A09			-----	CHAIN SAW FILES		
A10			-----	CHAIN SAW & BAR REFERENCE CHART		
A11			-----	SAFETY ACCESSORIES		

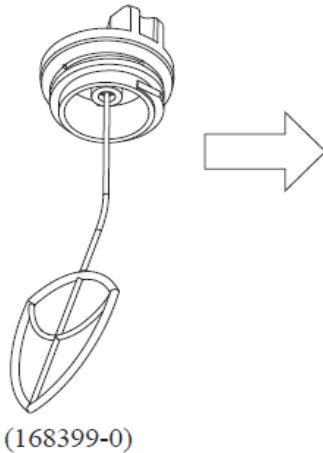
SERVICE CHANGES

1. Changes on Tankcap Complete

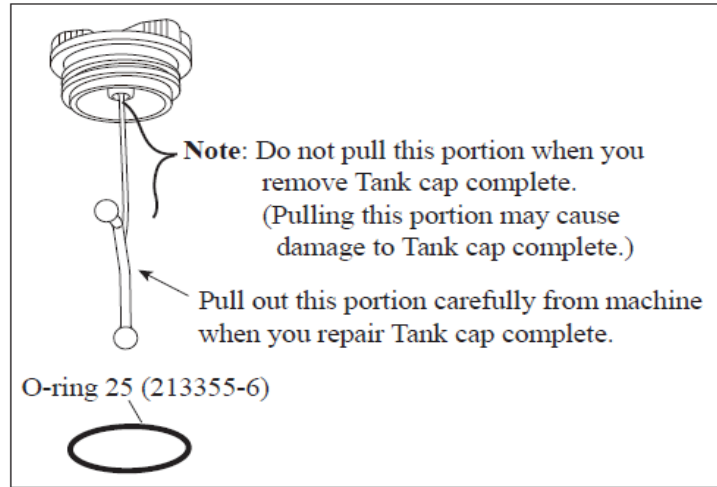
(TI#B6909)

Item No.	Description	Type 1	Type 2
25	TANKCAP COMPLETE	168399-0	168508-1
INC.	O RING 25	-----	213355-6

Type 1



Type 2



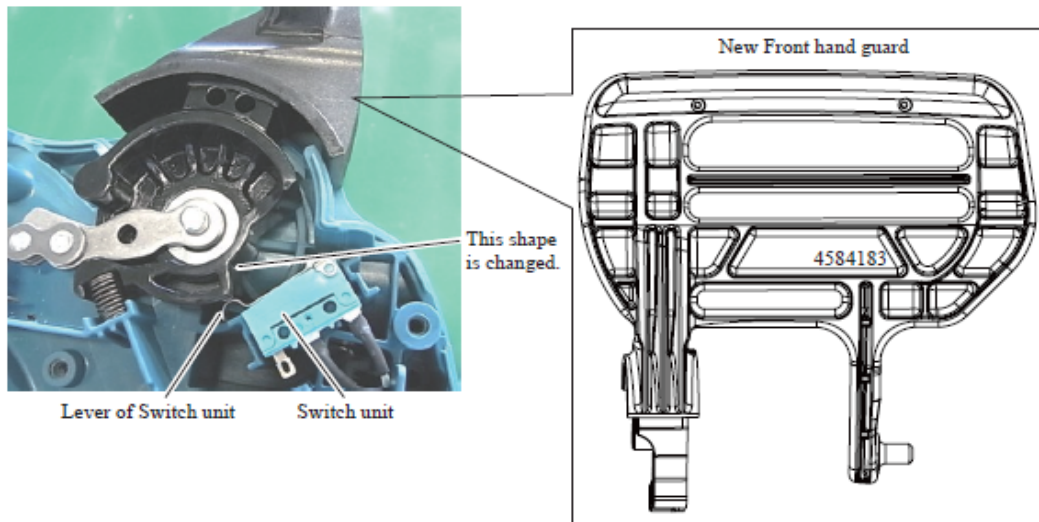
(168508-1)

2. Changes on Front hand guard

(TI#B9658)

Item No.	Description	Type 1	Type 2
26	Fron Hand Guard Com.	144232-0	140A11-0
37	Switch unit		632H47-0

Switch unit remains the same. However, be sure to check the molded part number in repair. When you find the number 4570225, replace the current Front hand guard complete with a new at the same time.



Distinguish the new from the current by the molded parts number (new: 4584183/ current: 4570225).